

Front Elevation Details

General Notes :

1. All Dimensions in Inches & Feet
2. Dimensions to Be Strictly Followed
3. This Drawing Shall Be Read in Conjunction With Relevant Architectural, Structural, and Services Drawings. In Particular Dwg. No.....
4. Any Discrepancy between the Architectural / Structural or Services Drawings Must Be Brought to Attention of Architect

Notes :

This Drawing is The Property of IndianArchitect.info it May Not Be Used for any Purpose other than The Owner: IndianArchitect.info Does Not Authorize The Reproduction or Conveyance of any Information Contained Herein without Prior Written Permission.

PROJECT/A 364

Proposed : Religion Project
 At : Sitamarhi, Bihar
 Clint : Shre Ram Vilas Ji
 Contact : +91

DRAWN BY : JE. Dilip Lodha

DEALT BY : JE. Prakash Kumawat

CHECKED BY : C. S. Changeriya

Scale : NTS

Issued On : 08/June/2023

Floor Name : Sheet No.:

Architects



Visit Us



Right Side Elevation Details

General Notes :

1. All Dimensions in Inches & Feet
2. Dimensions to Be Strictly Followed
3. This Drawing Shall Be Read In Conjunction With Relevant Architectural, Structural, and Services Drawings. In Particular Dwg. No.....
4. Any Discrepancy between the Architectural / Structural or Services Drawings Must Be Brought to Attention of Architect

Notes :

This Drawing Is The Property of **IndianArchitect.Info** it May Not Be Used for any Purpose other than The Owner. IndianArchitect.Info Does Not Authorize The Reproduction or Conveyance of any Information Contained Herein without Prior Written Permission.

PROJECT:IA 364
 Proposed : **Religion Project**
 At : **Sitamardi, Bihar**
 Clint : **Shre Ram Vilas Ji**
 Contact : **+91**

DRAWN BY : JE. Dilip Lodha
 DEALT BY : JE. Prakash Kumawat
 CHECKED BY : C. S. Changeriya

Scale : **NTS**
 Issued On : **09/June/2023**

Floor Name : **Ground Floor Plan**

SHEET TITLE:

Elevation Details

Sheet No:



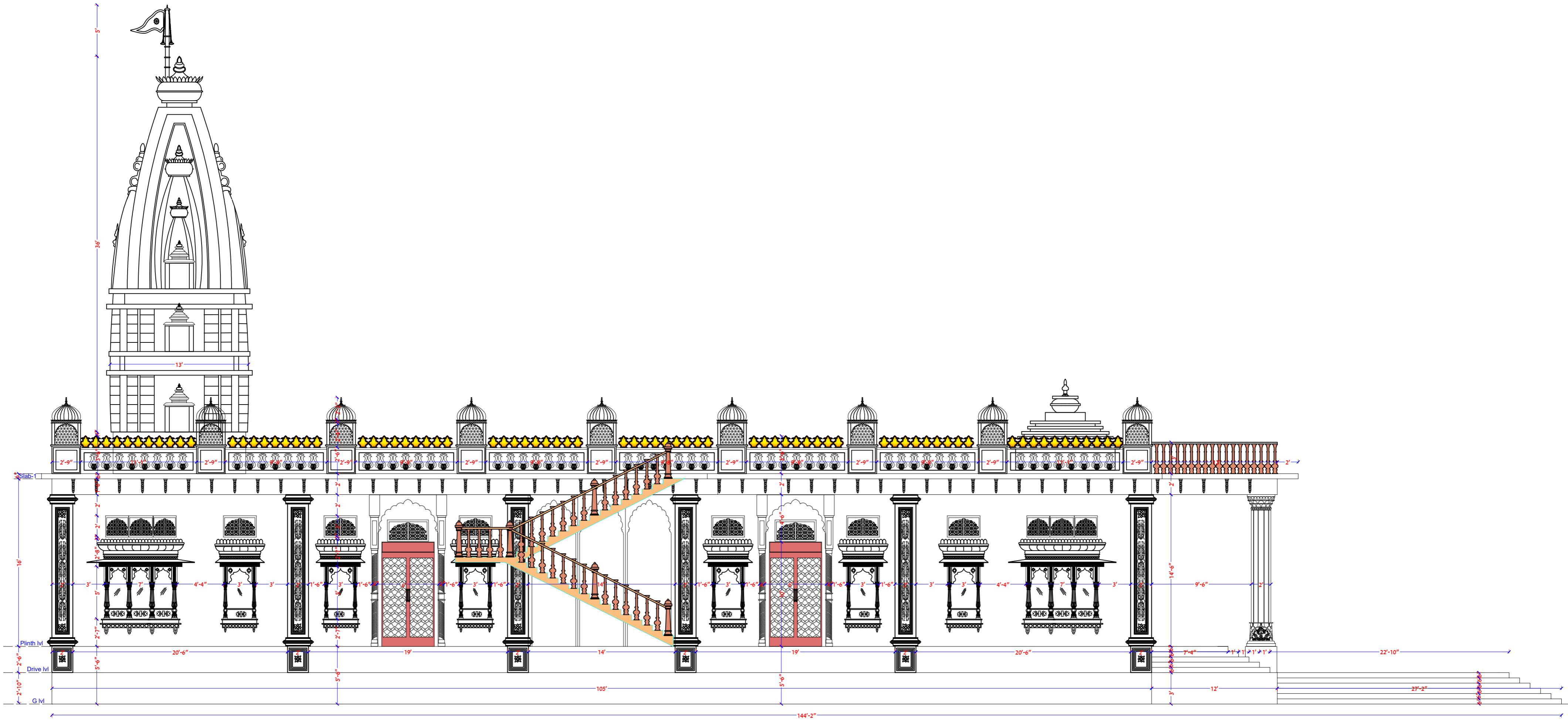
Architect



Civil, Architect & Interior Design



Visit Us



Left Side Elevation Details

General Notes :

1. All Dimensions in Inches & Feet
2. Dimensions to Be Strictly Followed
3. This Drawing Shall Be Read In Conjunction With Relevant Architectural, Structural, and Services Drawings, in Particular Drg. No.....
4. Any Discrepancy between the Architectural / Structural or Services Drawings Must Be Brought to Attention of Architect

Notes :

This Drawing Is The Property of **IndianArchitect.Info** it May Not Be Used for any Purpose other than The Owner. IndianArchitect.Info Does Not Authorize The Reproduction or Conveyance of any Information Contained Herein without Prior Written Permission.

PROJECT:IA 364

Proposed : **Religion Project**
 At : **Sitamardi, Bihar**
 Clint : **Shre Ram Vilas Ji**
 Contact : **+91**

DRAWN BY : JE. Dilip Lodha
 DEALT BY : JE. Prakash Kumawat
 CHECKED BY : C. S. Changenya

Scale : **NTS**
 Issued On : **09/June/2023**

Floor Name :

Ground Floor Plan

SHEET TITLE:

Elevation Details

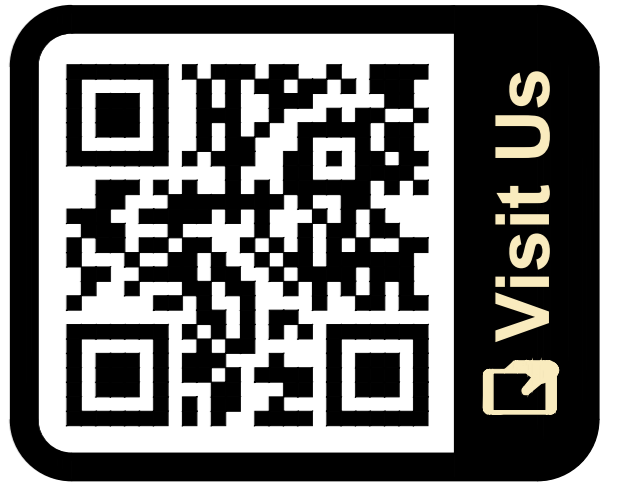
Sheet No.:

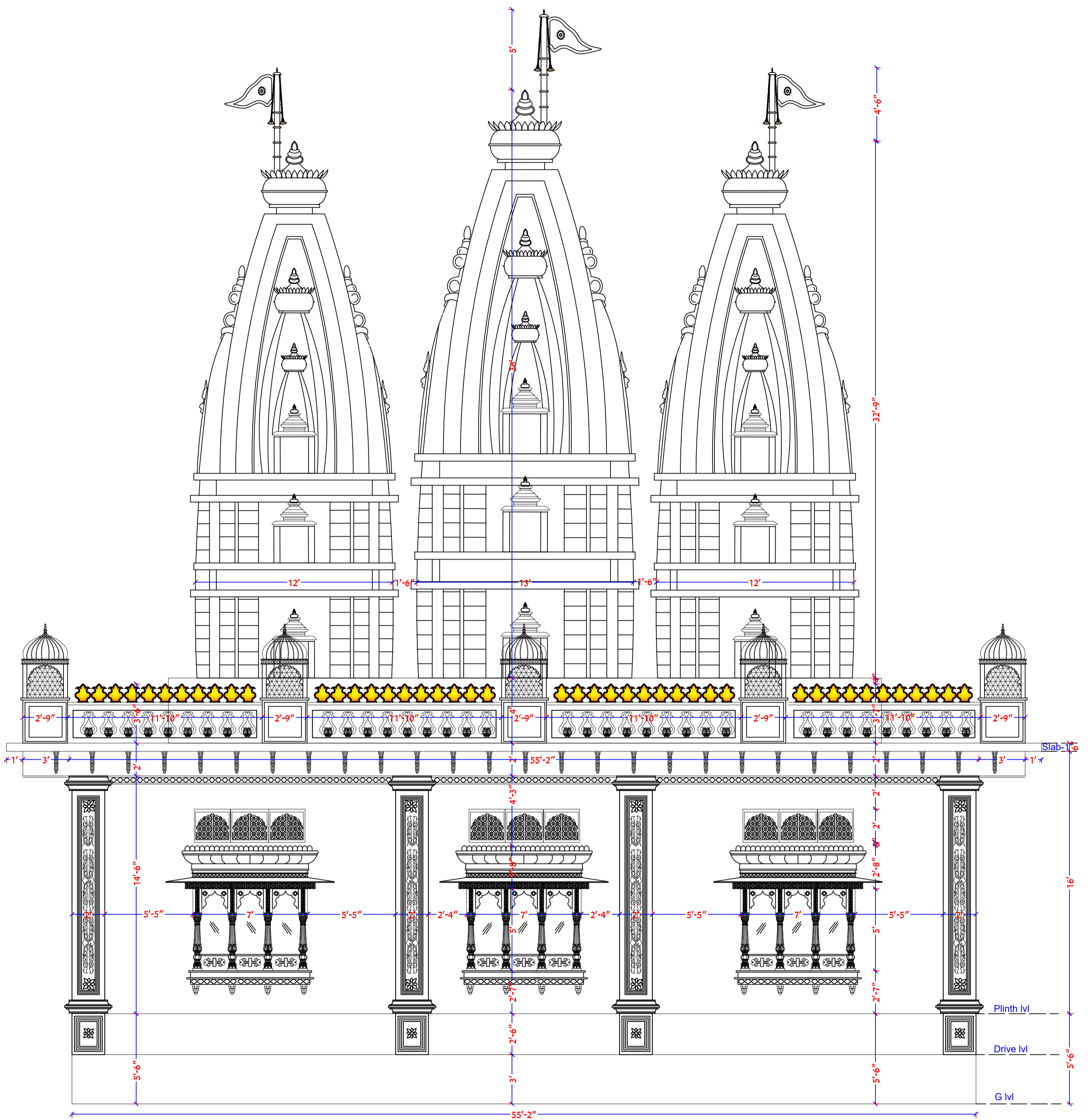


Architect



Civil, Architect & Interior Design





Back Side Elevation Details

General Notes :

1. All Dimensions in Inches & Feet
2. Dimensions to Be Strictly Followed
3. This Drawing Shall Be Read in Conjunction With Relevant Architectural, Structural, and Services Drawings, in Particular Dwg. No.
4. Any Discrepancy between the Architectural / Structural or Services Drawings Must Be Brought to Attention of Architect

Notes :

This Drawing is The Property of IndianArchitect.info it May Not Be Used for any Purpose other than The Owner. IndianArchitect.info Does Not Authorize The Reproduction or Conveyance of any Information Contained Herein without Prior Written Permission.

PROJECT:IA 364

Proposed : Religion Project
 At : Sitamarhi, Bihar
 Clint : Shre Ram Vilas Ji
 Contact : +91

DRAWN BY : JE. Dilip Lodha

DEALT BY : JE. Prakash Kumawat

CHECKED BY : C. S. Changniya

Scale : NTS

Issued On : 08/June/2023

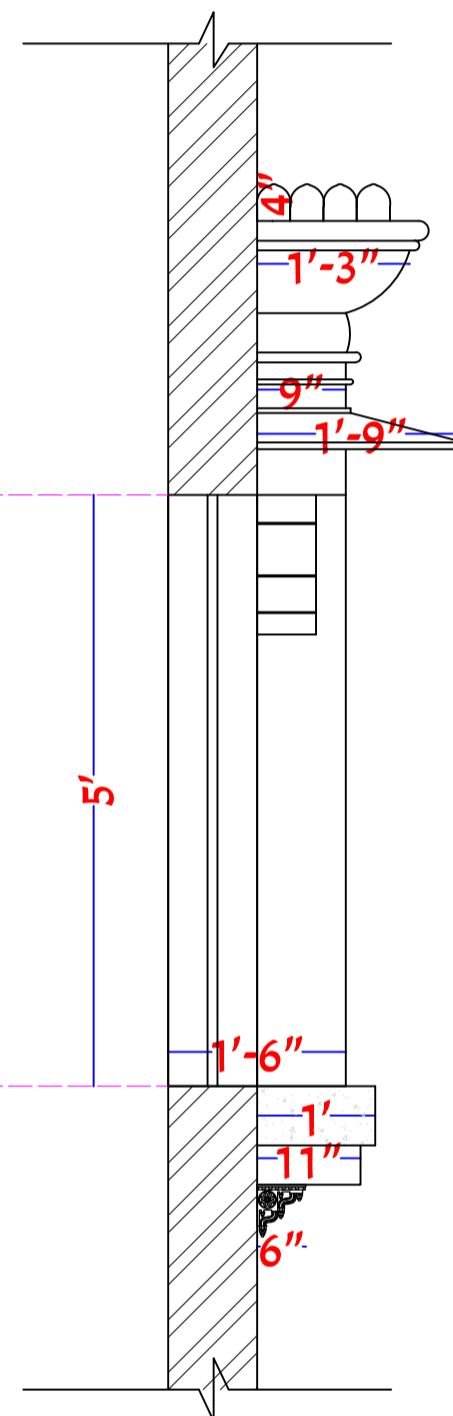
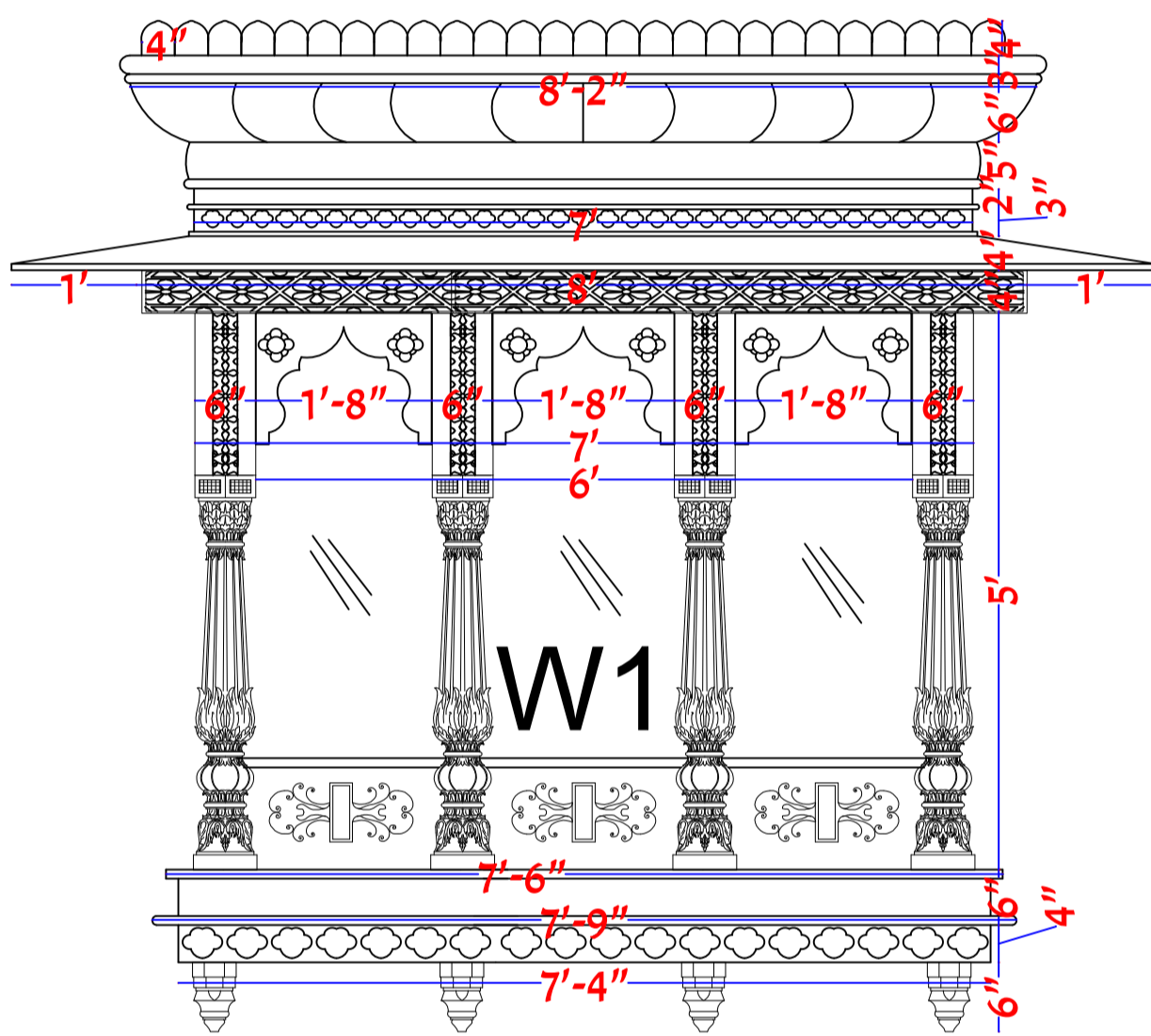
Floor Name : Sheet No.:

Sheet Title: Elevation Details

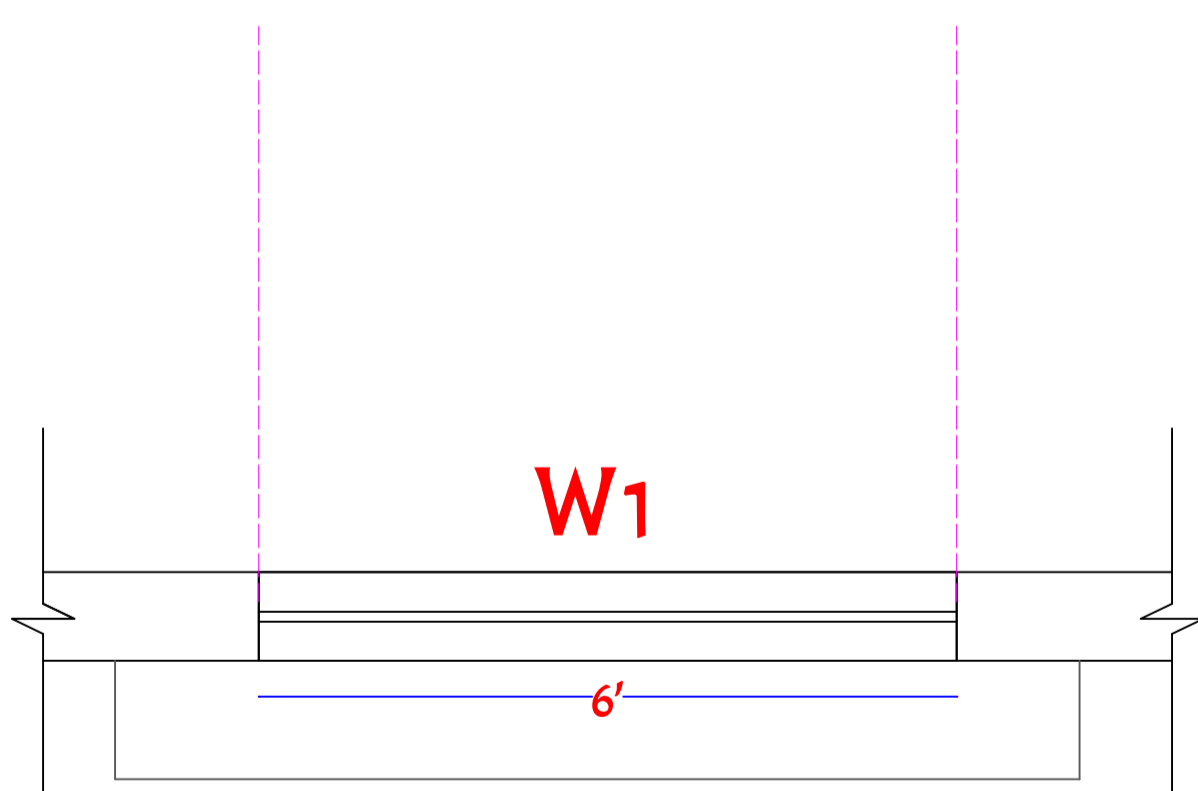
Architects



Visit Us



Section



Plan

Window 1 Detail

General Notes :

1. All Dimensions in Inches & Feet
2. Dimensions to Be Strictly In Conjunction
3. This Drawing Shall Be Read In Conjunction With Relevant Architectural, Structural, and Services Drawings, in Particular Drg. No.....
4. Any Discrepancy between the Architectural / Structural or Services Drawings Must Be Brought to Attention of Architect

Notes :

This Drawing Is The Property of IndianArchitect.Info it May Not Be Used for any Purpose other than The Owner. IndianArchitect.Info Does Not Authorize The Reproduction or Conveyance of any Information Contained Herein without Prior Written Permission.

PROJECT:IA 364

Proposed : Religion Project
 At : Sitamarhi, Bihar
 Clint : Shre Ram Vilas Ji
 Contact : +91

DRAWN BY : JE. Dilip Lodha
 DEALT BY : JE. Prakash Kumawat
 CHECKED BY : C. S. Changeriya

Scale : NTS
 Issued On : 09/June/2023

Floor Name :

SHEET TITLE:

Window Details

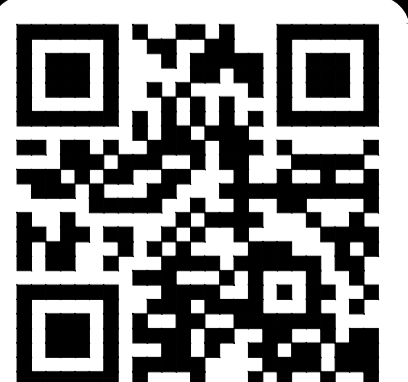
Sheet No.:



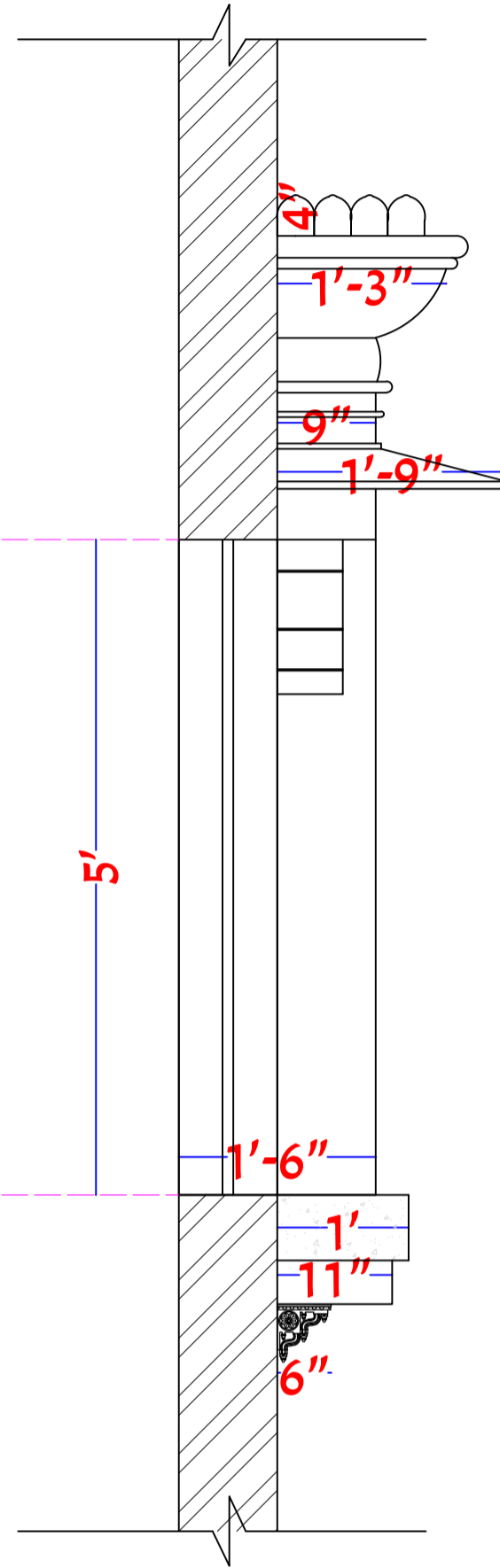
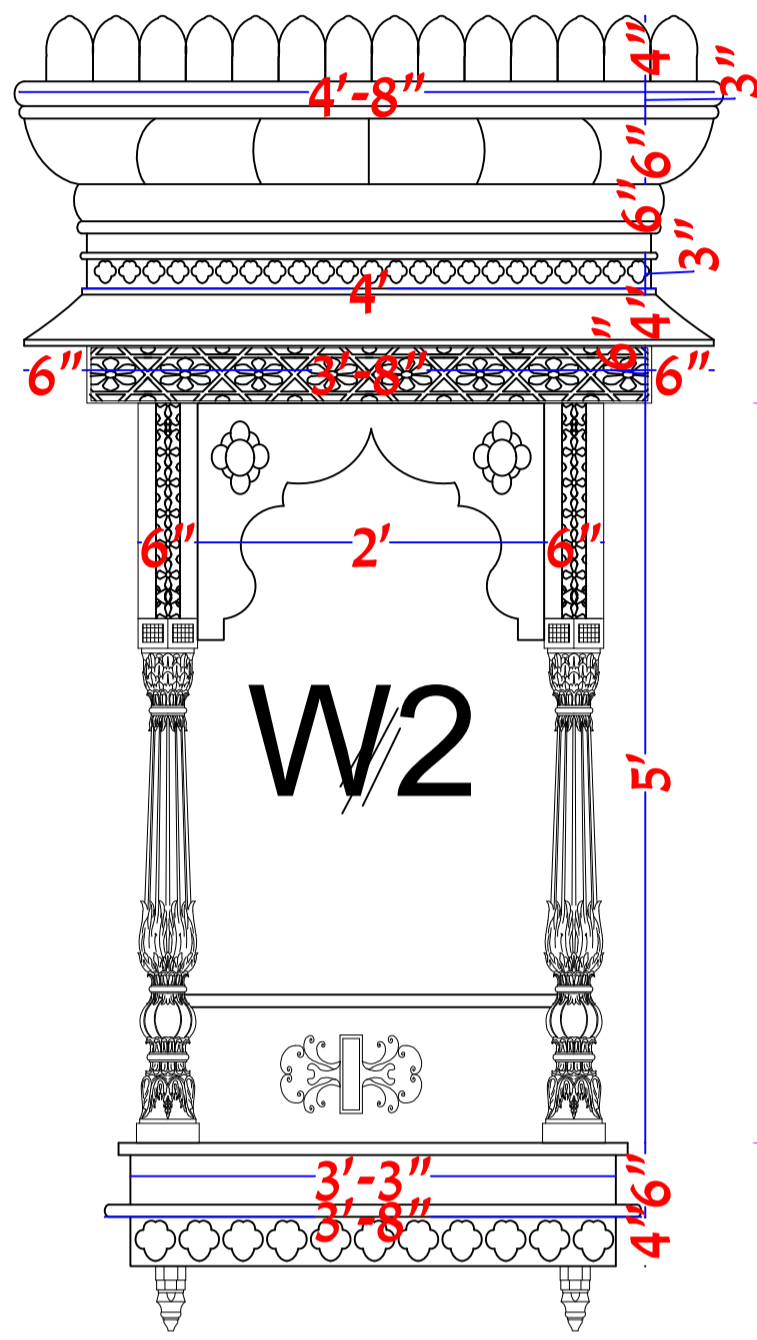
Architect



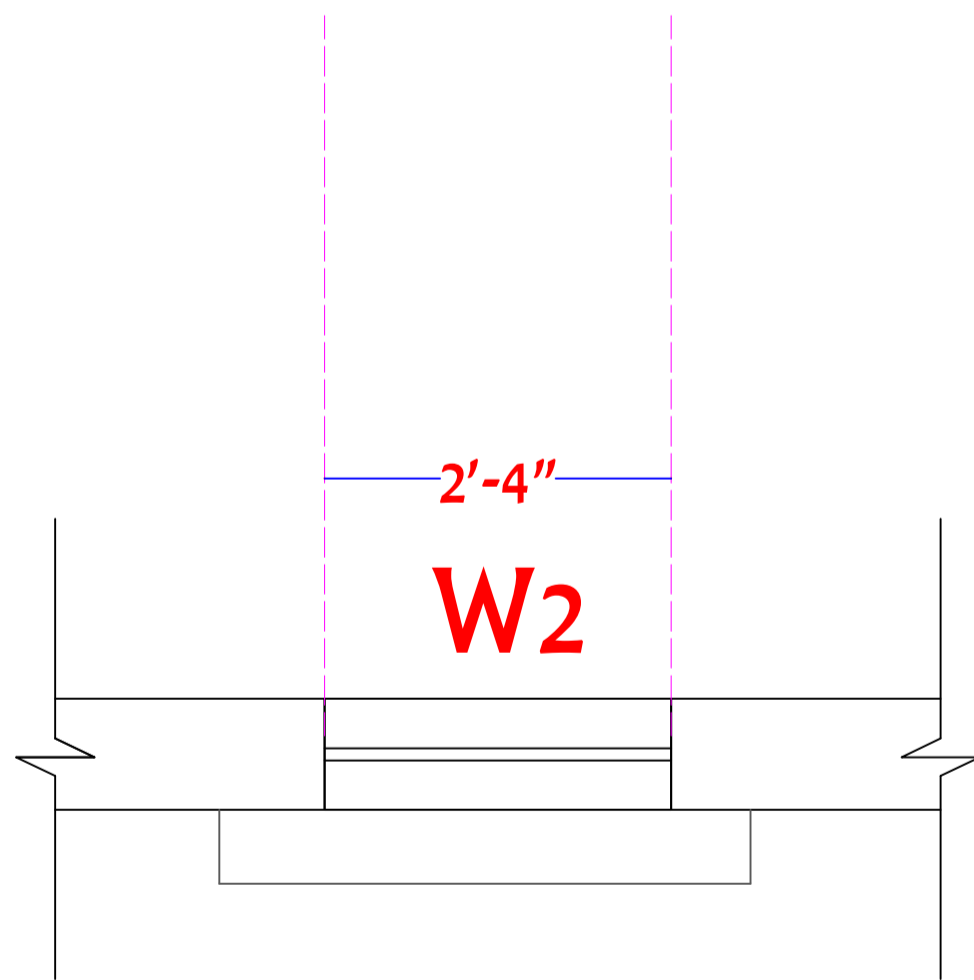
Civil, Architect & Interior Design



Visit Us



Section



Plan

Window 2 Detail

General Notes :

1. All Dimensions in Inches & Feet
2. Dimensions to Be Strictly Followed
3. This Drawing Shall Be Read In Conjunction With Relevant Architectural, Structural, and Services Drawings, in Particular Drg. No.....
4. Any Discrepancy between the Architectural / Structural or Services Drawings Must Be Brought to Attention of Architect

Notes :

This Drawing Is The Property of IndianArchitect.Info it May Not Be Used for any Purpose other than The Owner. IndianArchitect.Info Does Not Authorize The Reproduction or Conveyance of any Information Contained Herein without Prior Written Permission.

PROJECT:IA 364

Proposed : Religion Project
 At : Sitamarhi, Bihar
 Clint : Shre Ram Vilas Ji
 Contact : +91

DRAWN BY : JE. Dilip Lodha

DEALT BY : JE. Prakash Kumawat

CHECKED BY : C. S. Changeriya

Scale : NTS

Issued On : 09/June/2023

Floor Name :

SHEET TITLE:

Window Details

Sheet No.:



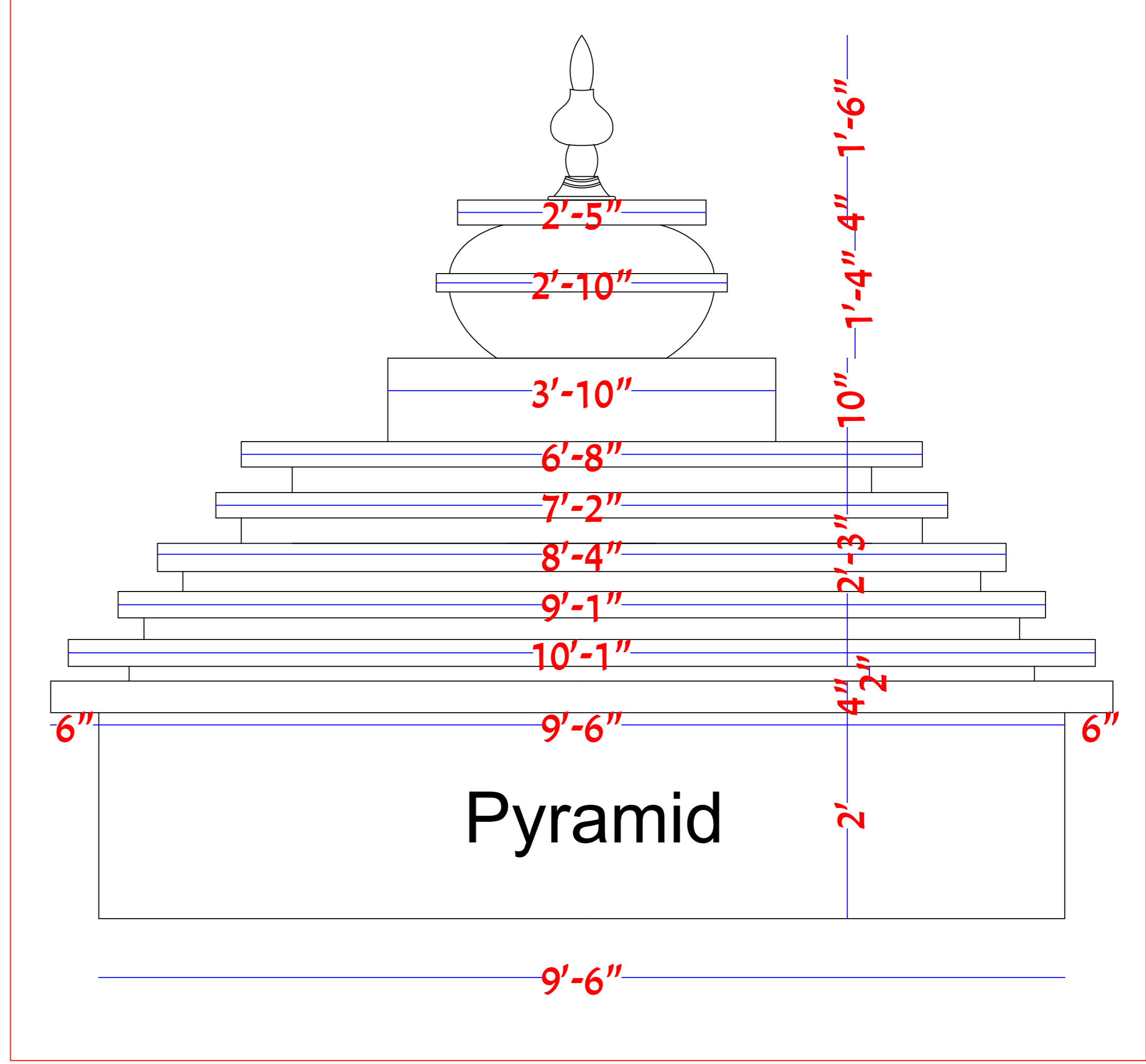
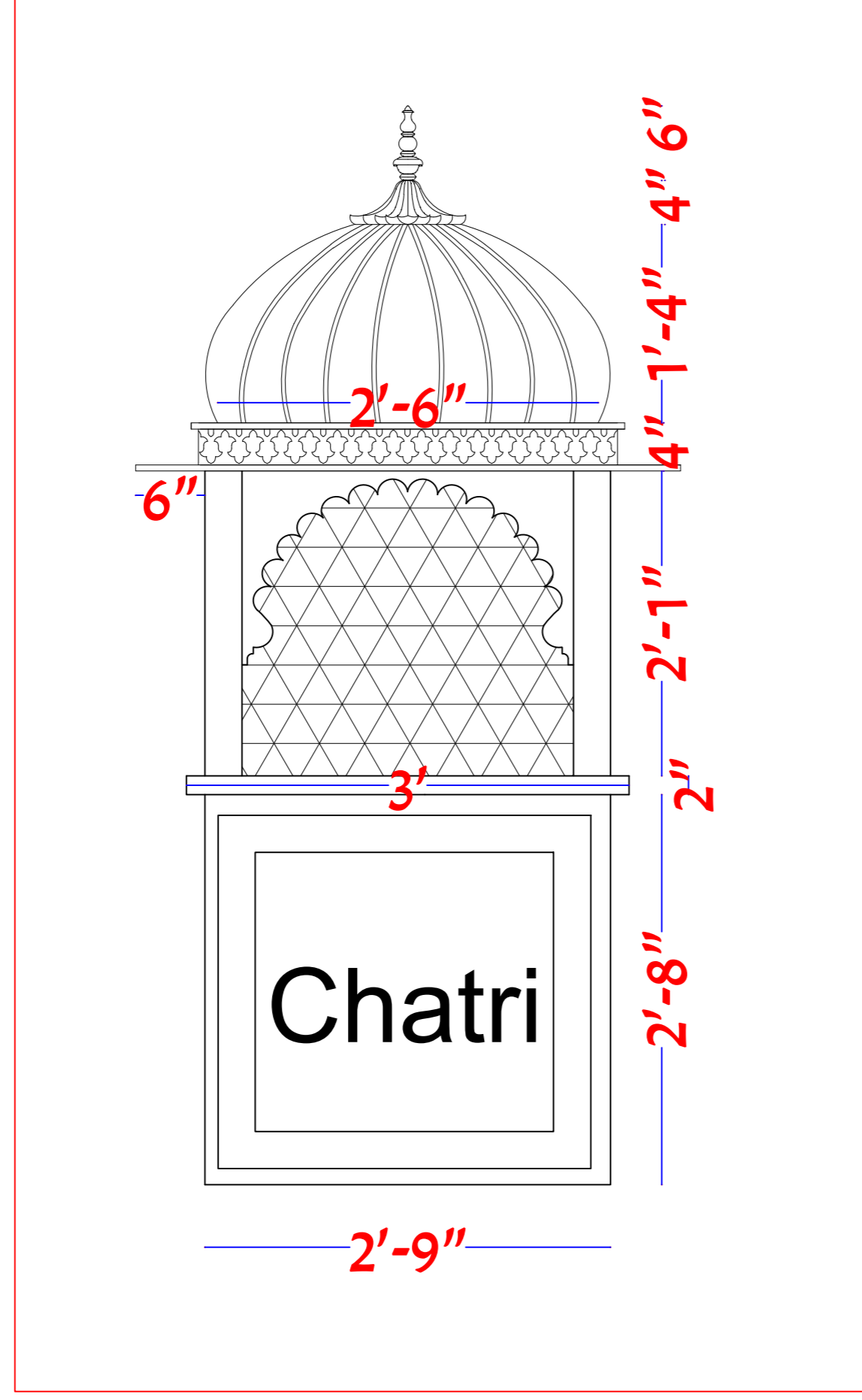
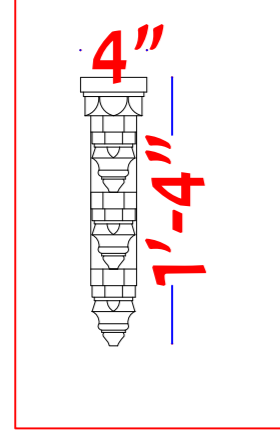
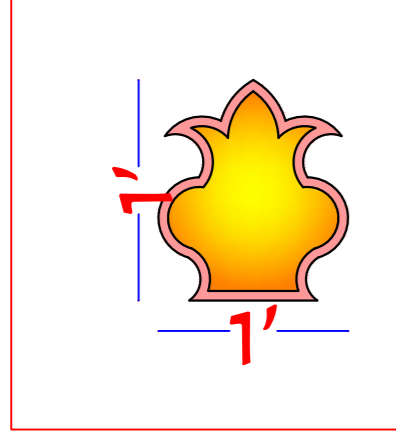
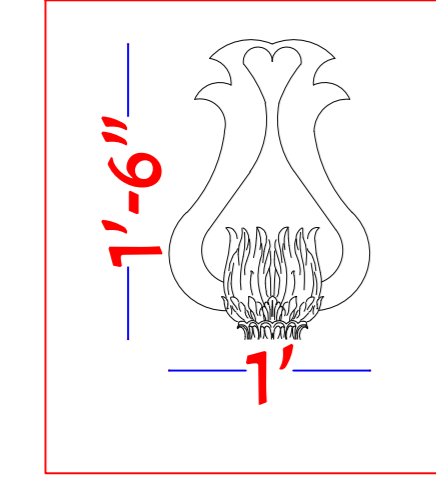
Architect



Civil, Architect & Interior Design



Visit Us



General Notes :

1. All Dimensions in Inches & Feet
2. Dimensions to Be Strictly Followed
3. This Drawing Shall Be Read In Conjunction With Relevant Architectural, Structural, and Services Drawings, in Particular Drg. No.....
4. Any Discrepancy between the Architectural / Structural or Services Drawings Must Be Brought to Attention of Architect

Notes :

This Drawing Is The Property of **IndianArchitect.Info** it May Not Be Used for any Purpose other than The Owner. IndianArchitect.Info Does Not Authorize The Reproduction or Conveyance of any Information Contained Herein without Prior Written Permission.

PROJECT:IA 364

Proposed : Religion Project
At : Sitamarhi, Bihar
Client : Shre Ram Vilas Ji
Contact : +91

DRAWN BY : JE. Dilip Lodha
DEALT BY : JE. Prakash Kumawat
CHECKED BY : C. S. Changariya

Scale : NTS
Issued On : 09/June/2023

Floor Name :

SHEET TITLE:

Window Details

Sheet No.:



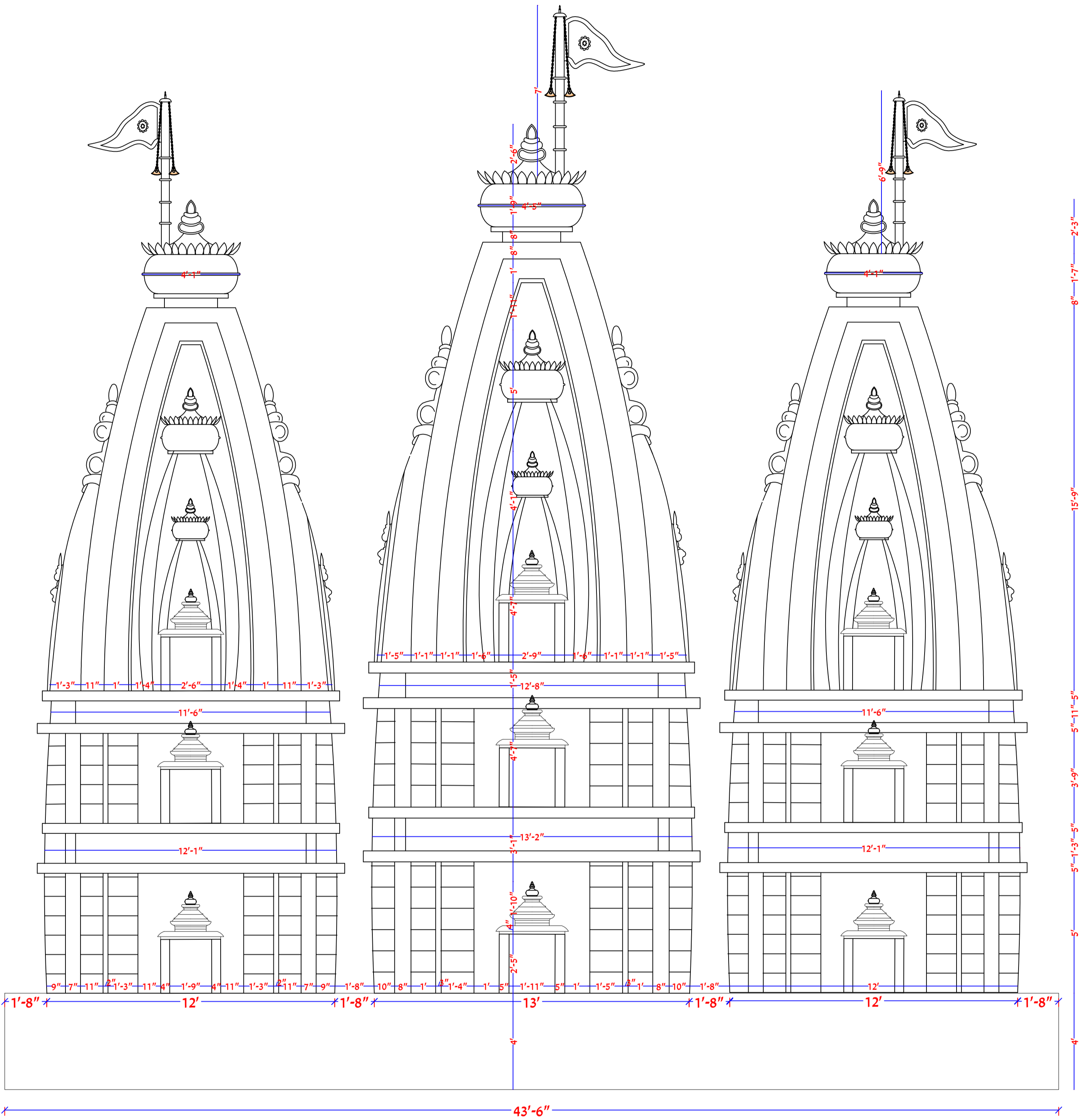
Architect



Civil, Architect & Interior Design



Visit Us



General Notes :

1. All Dimensions in Inches & Feet
2. Dimensions to Be Strictly Followed
3. This Drawing Shall Be Read in Conjunction With Relevant Architectural, Structural, and Services Drawings. In Particular Dwg. No.....
4. Any Discrepancy between the Architectural / Structural or Services Drawings Must Be Brought to Attention of Architect

Notes :

This Drawing Is The Property of IndianArchitectInfo it May Not Be Used for any Purpose other than The Owner. IndianArchitectInfo Does Not Authorize The Reproduction or Conveyance of any Information Contained Herein without Prior Written Permission.

PROJECT:IA 364

Proposed : Religion Project
 At : Sitamarhi, Bihar
 Client : Shre Ram Vilas Ji
 Contact : +91

DRAWN BY : JE. Dilip Lodha
 DEALT BY : JE. Prakash Kumawat
 CHECKED BY : C. S. Changeriya

Scale : NTS
 Issued On : 08/June/2023
 Floor Name :
 Sheet No.:

Architects



Civil, Architect & Interior Design



Visit Us